



HIGH-EFFICIENT SOFTMOUNT WASHER-EXTRACTORS

IY65
6,5 KG

IY80
7,5 KG

IY105
10,5 KG

IY135
13,5 KG

FEATURES

- Freestanding, high spin (up to 1165 rpm - IY65,IY80)
- 400G extraction speed
- Stainless steel top and front panel, black side panels
- Stainless steel drum and tub
- Patented soap hopper
- Large drain valve (Ø 76 mm)
- Easy access to all vital parts from the front
- Large door opening for easy loading & unloading
- Smart Drum : special textured drum further improves washing results

OPTIONS

- Coin operated
- Stainless steel side panels
- USB + RS485 plug
- Liquid soap connection
- Liquid soap pumps
- Water recovery kit
- Steam heating version
- Drain pump (IY65, IY80)
- 3rd water inlet
- ECO version : lower kW rating on request



CONTROLS OPTIONS

- Aries (VEND only) – easy-to-use microprocessor
- Evolis control platform
 - o available in 2 versions, EVOLIS for Vend, EVOLIS ELITE for OPL
 - o 7", full color touch screen display with swipe function: very intuitive for users
 - o User-friendly screen with operating instructions built in as part of the control
 - o Complete control content available in 34 languages
 - o Wireless communication enabling programming & firmware updates through cloud
 - o Automated service reminders remind users to maintenance tasks
 - o IPSO Connect: interactive dashboard offers operational performance info on mobile device



Touch screen control for Vend

Control with 7" touch screen featuring an intuitive user interface for users & access to performance data through cloud for owners. 15 standard wash programmes & 11 easy-to-use cycle modifiers.



Industry-leading 3+2 warranty

Our confidence in the dependability and robustness of our equipment is reflected in our three-year warranty policy. Plus a twoyear warranty extension on critical parts.



Touch screen control for OPL

Control with 7" touch screen featuring new connectivity and data-accessibility functionalities through cloud. 20 standard wash programmes, total memory capacity for 99 programmes.



Smart Drum

The special shape of the drum holes provides extra mechanical action which leads to better washing results. The linen doesn't stick to the drum, which simplifies unloading.



Integrated management platform

allowing analysis of financial & operational performance as well as service and maintenance organization.



Optimised energy consumption while washing

The absorption ability of the load is automatically determined at the start of the cycle. Water levels are then optimized throughout the wash cycle with no compromise to the quality of the clean.

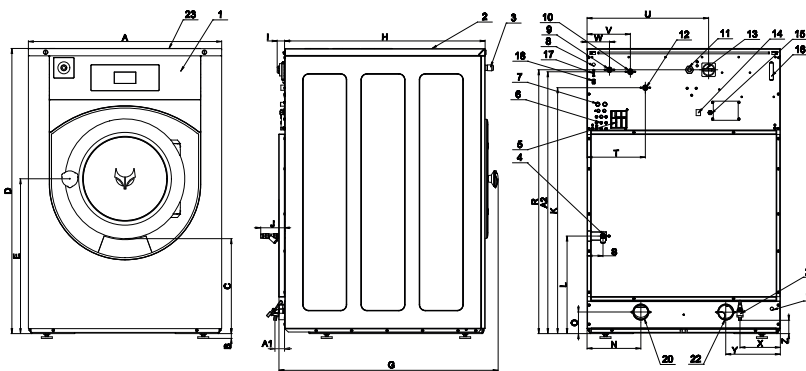
	IY65	IY80	IY105	IY135
INNERDRUM				
CAPACITY 1:10 (KG)	6,5	7,5	10,5	13,5
CAPACITY 1:9 (KG)	7	8,5	12	15
VOLUME (L)	65	75	105	135
DIAMETER (MM)	530	530	620	620
DRUM SPEED				
WASH (RPM)	49	49	49	49
EXTRACTION (RPM)	1165	1165	1075	1075
G-FACTOR	400	400	400	400
MOTOR				
MOTOR POWER (KW)	0,75	0,75	1,1	1,5
HEATING				
ELECTRICITY (KW) very low-low-std-higher-special 1-2-3	3-4,6-6-9--7--	3-4,6-6-9--7--	3---9-12-6-7--	3---12-13,8--7-9
STEAM (BAR)	1 - 8	1 - 8	1-8	1 - 8
HOT WATER (°C)	90	90	90	90
SOUND PRESSURE LEVEL (DB) (A)	< 65	< 65	< 65	< 65
WATER VALVES CONNECTION (BSP)	3/4"	3/4"	3/4"	3/4"
WATER PRESSURE (KPA)	100-800	100-800	100-800	100-800
REC. WATER PRESSURE (KPA)	300-500	300-500	300-500	300-500
WATER INLET (L/MIN)	20	20	20	20
DRAIN VALVE OUTER (MM)	Ø 76	Ø 76	Ø 76	Ø 76
FLOW AMOUNT WITH DRAIN VALVE (L/MIN)	210	210	210	210
STEAM VALVE CONNECTION (BSP)	1/2"	1/2"	1/2"	1/2"
STEAM PRESSURE (KPA)	100-800	100-800	100-800	100-800
TRANSPORT DATA				
GROSS WEIGHT (KG)	180	200	235	275
NET WEIGHT (KG)	170	185	210	255
PACKING DIMENSIONS H x W x D (MM)	1265 x 750 x 840	1365 x 835 x 840	1365 x 835 x 840	1365 x 835 x 985

	A	B	C	D	E	F	G	H	I	J	K	L	M	N	O	P	Q
IY65	710	24	349	1135	582	240	730	642	48	180	940	480	88	230	203	N/A	67
IY80	710	24	349	1135	582	240	780	692	48	180	940	480	88	230	203	N/A	67
IY105	795	24	342	1245	617	240	785	692	48	180	1050	506	88	230	203	N/A	67
IY135	795	24	342	1245	617	240	935	842	48	180	1050	506	88	230	203	N/A	67
	width			height			depth										

	R	S	T	U	V	W
IY65	1030	42	283	390	218	113
IY80	1030	42	283	390	218	113
IY105	1140	42	293	475	218	113
IY135	1140	42	293	475	218	230

	IY80
Water consumption	6,6 L/KG
Electricity consumption	0,18 kW/kg

*Program nr 13



- Control panel
- Soap dispenser
- Centralstop button
- Steam connection
- Air relieve
- Liquid soap connection
- Recycled water inlet
- Recycled water valve cable inlet
- Cold water inlet, soft
- Cold water inlet, hard
- Electrical connection
- Hot water inlet
- Main switch/Field wiring terminal (NA models)
- Heating change-over switch
- Liquid soap pump electrical connection
- Fuses
- USB port - optional
- PC programming connection
- Discharge water cable inlet
- Drain valve - 3 in. [76 mm]
- Drain Valve - 1/2", applicable for wash bath sample (on request only)
- Drain valve or recycle valve - 3 in. [76 mm]280 L Models only
- Hidden USB port (under top cover) - standard